



Raising End Canopy



Register your Pier Pleasure purchase at
www.pierpleasure.com/warranty



 Register



 WATCH VIDEO

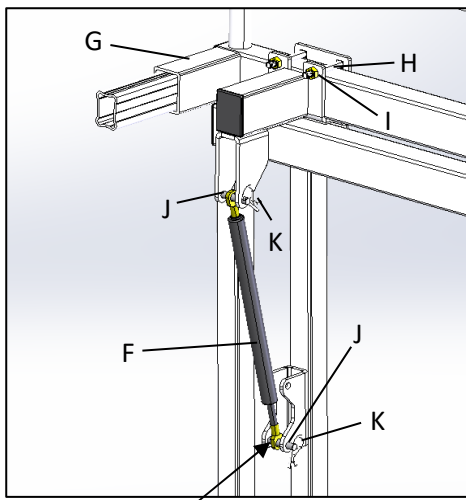


CNPY-REC-120**Raising End Canopy Parts List**

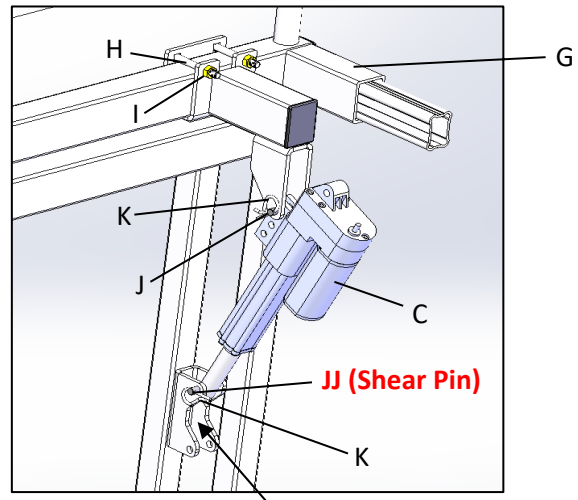
A	162-70000	Qty : 1	Raising End Canopy Assembly : 24" Extra Drop
	162-40000	Qty : 1	Raising End Canopy Kit : 24" Extra Drop

Raising End Canopy Kit (162-40000) includes:

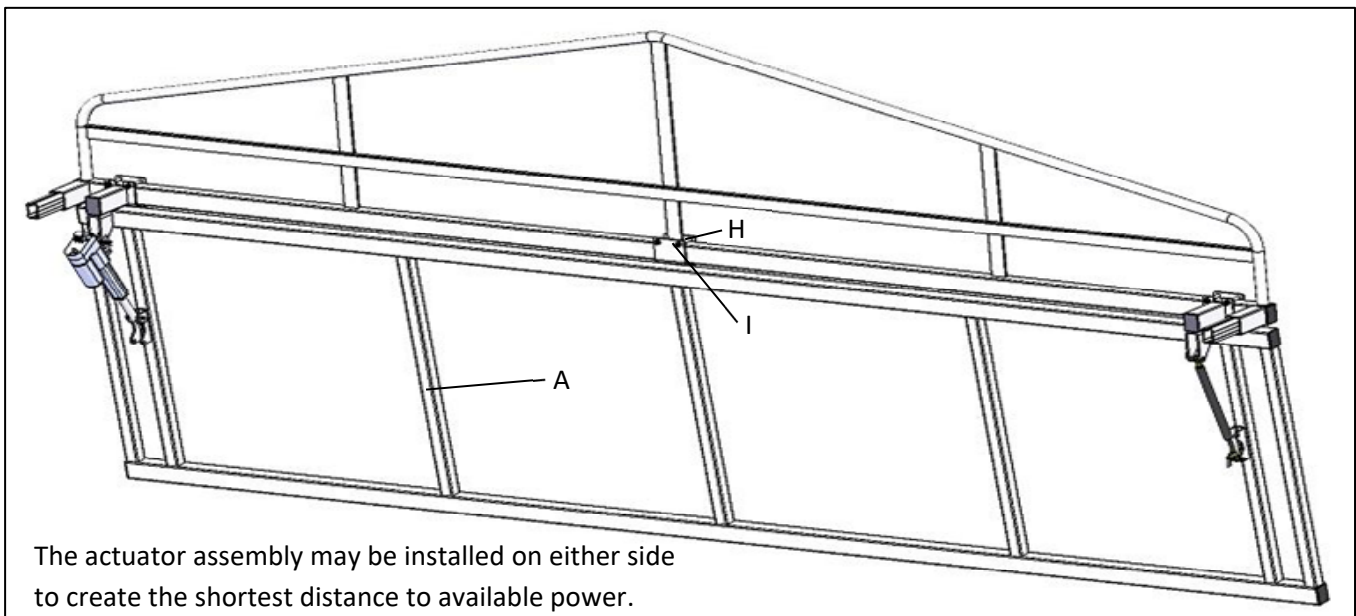
B	162-MESHEND-120	Qty : 1	Mesh End : 120 Raising End
C	162-40050	Qty : 1	Actuator Assembly
D	162-40150	Qty : 1	Remote Control Unit with 2 Fobs
E	162-40175	Qty : 1	15' Extension Cord
F	162-40200	Qty : 1	Lift Support (Shock)
G	162-30125	Qty : 2	1-1/2" x 2" : 4" Tube
H	140-31-25-CB	Qty : 6	5/16" x 2-1/2" Carriage Bolts
I	140-31-N	Qty : 6	5/16" Brass Nut
J	140-31-162-PIN	Qty : 4	5/16" x 1-5/8" Stainless Clevis Pin
JJ	140-31-162-SP	Qty : 4	5/16" x 1-5/8" Nylon Shear Pin (Use 1 - There are 3 Extras)
K	140-12-1-HP	Qty : 4	.125 x 1-9/16" Hair Pin



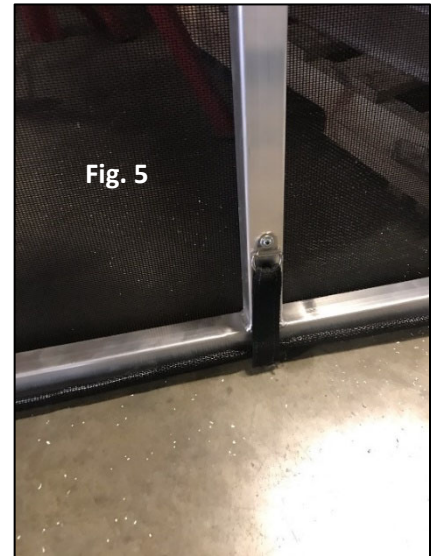
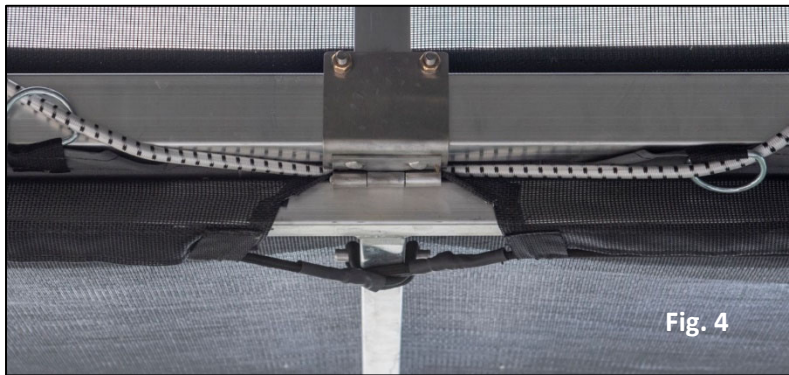
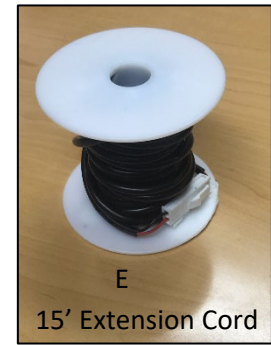
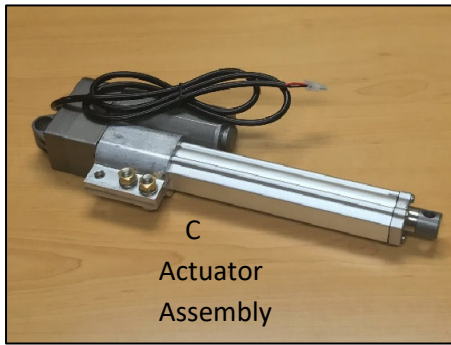
Lift support is pinned in the bottom hole of the bracket



Actuator assembly is pinned in the top hole of the bracket



The actuator assembly may be installed on either side to create the shortest distance to available power.



Identify each item in the Raising End Canopy kit.

Install the mesh onto the raising end assembly. The black bungee inside the mesh will have 2 loops at the top and hook onto the welded rod. (Fig. 4). The middle bottom will strap through the ring and velcro tightly back to itself. (Fig. 5)

Install the two 1-1/2" x 2 tubes that are 4" long onto the inner legs of the canopy frame end before installing into the canopy frame. The canopy skirt extensions will be installed onto this tube. The skirt extension bracket will be tight up against the canopy frame end. This will allow the raising end canopy to close tight when in the closed position. (Fig. 6)

Install the Raising End Canopy assembly onto the Canopy Frame End using the 5/16" x 2-1/2" Carriage Bolts and Brass Nuts.

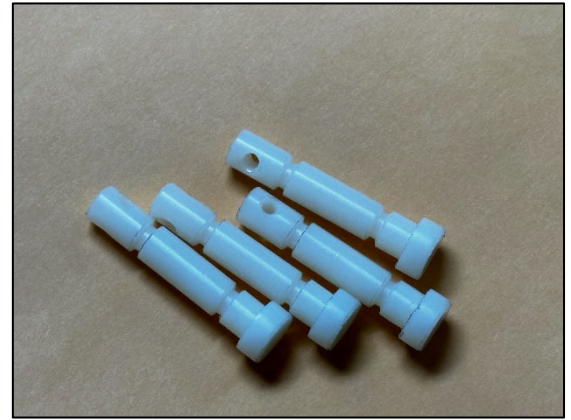
Determine which side of the canopy has the power. Install the Actuator Assembly using the 5/16" x 1-5/8" Clevis Pins and Hair Pins.

Plug in the actuator to Wireless Controller and power then fully extend the actuator. The Lift Support (Shock) is easier to install when the Raising End is open. Use 5/16" x 1-5/8" Clevis Pins and Hair Pins to install the Lift Support.

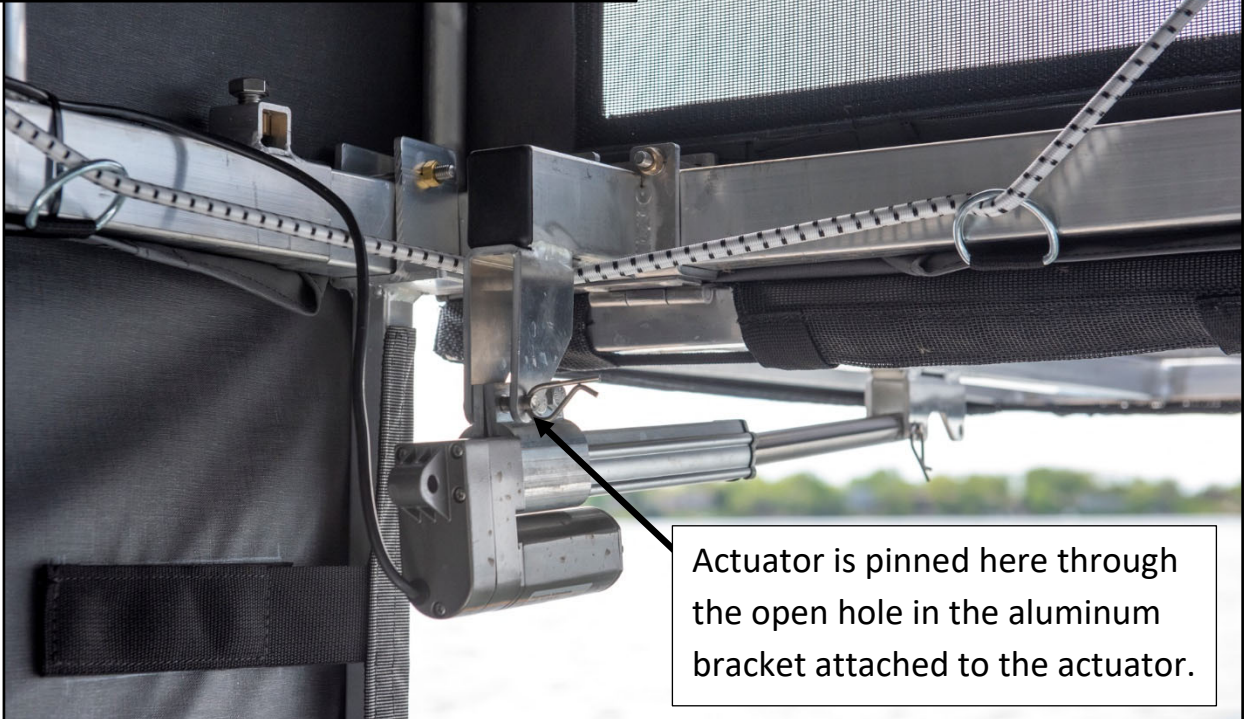


Clevis Pins must be installed in the correct Raising End bracket holes or damage will occur to hinges when opening.
See the following pages for detail photos.

Raising End Actuator



Actuator Rod is installed in top hole of the raising end bracket. Use the Nylon Shear Pin through the rod end of the Actuator. There are extras pins provided to replace if the pin shears off when pressure is applied to the Raising End of the canopy. The end will release to prevent damage to the bracket, raising end hinges, and the boat.



Actuator is pinned here through the open hole in the aluminum bracket attached to the actuator.

Lift Support (Shock)



Shock is installed in bottom hole of the raising end bracket. It will be easier to install the shock with the raising end open.





PA-33 Wireless Controller

Battery Type : CR2016 3V Lithium Cell

Qty : 2 per remote fob

Protection Class : IP65

Water and Dust Resistance (**Not Water-Proof**)

Locate and store out of direct contact with water.

Never wire the Wireless Controller across a 24 volt power system. 24 volts will open or close the raising end on its own and cause damage to the controller.

**12 VOLT
ONLY**

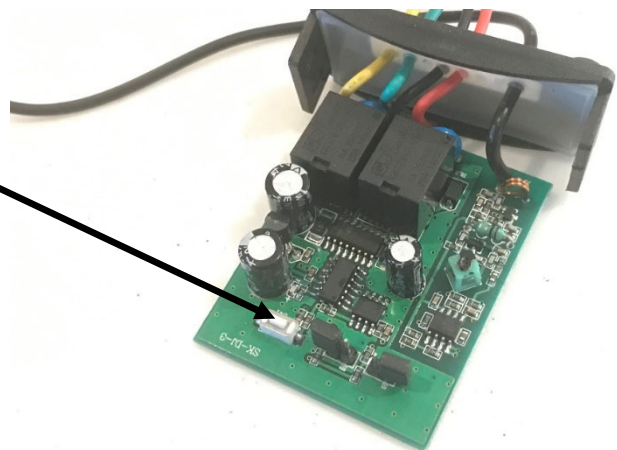
Controller is set by default in Non-Momentary Mode:

- Press UP to extend the actuator, Press UP again to stop the actuator.
- Press DOWN to retract the actuator, Press DOWN again to stop the actuator.
- If DOWN is pressed while the actuator is extending, it will reverse direction and begin to retract.

Remote Synchronization Process:

Open the control box and press the white button, the blue LED will turn on.

Press any button on the remote and the LED will turn off. The remote is now saved to the control box. A maximum of two remotes can be saved to one control box.





Optional AC to DC Power Supply

The wireless controller can be powered by a 100-120 Volt AC to 12 Volt DC Power Supply. This will allow the raising end canopy system to be operated when there is AC power already on the dock. Includes 2 wire connectors to crimp and seal the power unit to the wireless controller.



Friendly Reminder

Backing the boat into the Raising End will cause damage to the canopy frame and the boat. Make sure to instruct all family and friends who may use boat about raising the end to the open position before leaving. Another way to help remind yourself and others to open the raising end is to clip a remote fob to lift control pendant or lift remote fob.

Bracket Assembly with Hinge

Part : 162-70105

If the watercraft is backed into the raising end before it is raised, the part that will most likely be damaged is the Bracket Assembly that is connected to the Actuator.

The Nylon Shear Pin will help prevent damage to this bracket. Be sure the Shear Pin is installed through the end of the Actuator when connected to this bracket.

